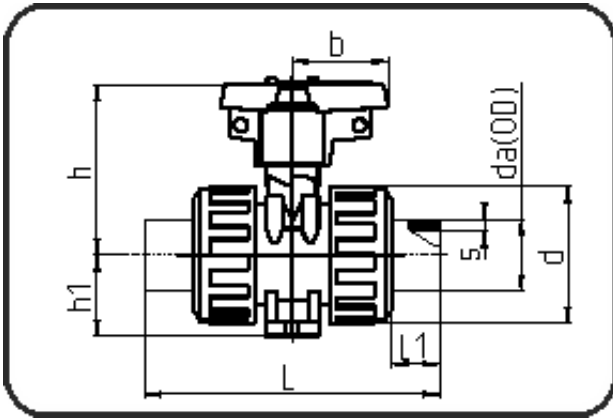


## Ventile



Code: 363.14

- Kugelhahn M1
- EPDM-Dichtung
- formgespritzt
- **Stumpf+IR-Schweissung**
- PP grau

Dimension	Code	Detail	Gewicht
75	11.363.1475.11	75 - SDR11 ISO S-5	2.50

	Einheit	Nominale	Tol+	Tol-
da(OD)	mm	75	0.70	0.00
L	mm	275	1.50	1.50
L1	mm	31	0.75	0.75
h1	mm	85	0.75	0.75
b	mm	110	0.00	0.00
DN	mm	63	0.00	0.00
s	mm	6,8	0.80	0.00
d	mm	160	0.75	0.75
p	bar	10	0.00	0.00
h	mm	161	0.75	0.75