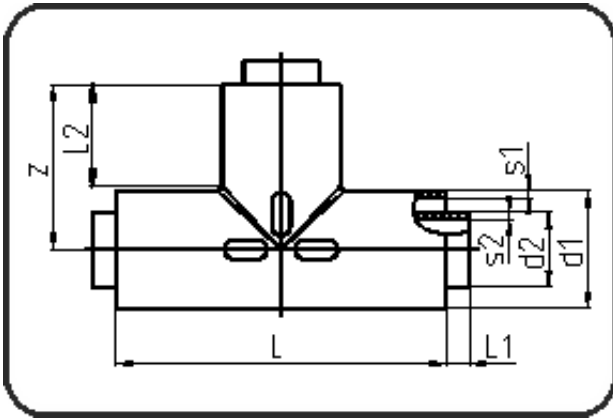


## PE 100-RC Poly-Flo



Code: 192

- Poly-Flo T-Stück
- formgespritzt
- **Simultan + Kaskadenschweissung**
- PE 100-RC schwarz

Dimension	Code	Detail	Gewicht
90/63	70.192.9063.71	90/63 SDR17/11	0.78

	Einheit	Nominale	Tol+	Tol-
L	mm	200	5.00	5.00
L1	mm	10	1.00	1.00
L2	mm	53	2.00	2.00
d1	mm	90	0.90	0.00
s2	mm	5,8	0.70	0.00
d2	mm	63	0.60	0.00
s1	mm	5,4	0.70	0.00
z	mm	100	4.00	4.00