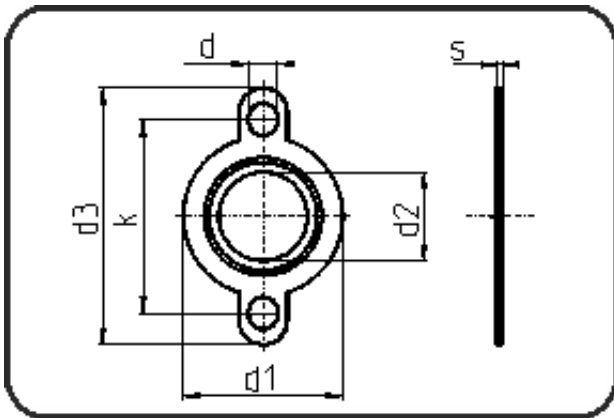


## Seal Clean Dichtungen



Code: 372.3

- Seal Clean Dichtung
- DIN
- für AGRU PE/PP Flansche
- Flanschverbindung
- ePTFE weiss

| Dimension | Code           | Detail         | Gewicht |
|-----------|----------------|----------------|---------|
| 75        | 88.372.3075.11 | 75 - SDR11 DIN | 0.02    |

|    | Einheit | Nominale | Tol+ | Tol- |
|----|---------|----------|------|------|
| s  | mm      | 3        | 0.50 | 0.50 |
| d  | mm      | 18       | 1.00 | 0.00 |
| d1 | mm      | 122      | 1.50 | 1.50 |
| d3 | mm      | 177      | 1.50 | 1.50 |
| d2 | mm      | 60,5     | 1.00 | 1.00 |
| k  | mm      | 145      | 1.00 | 1.00 |