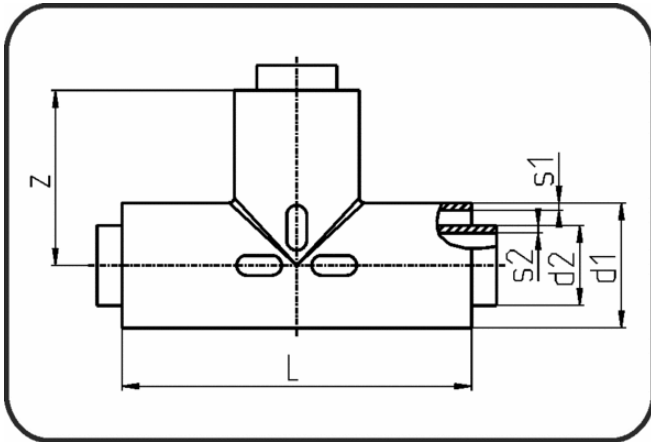


PE 100-RC Poly-Flo



Code: 192

- Poly-Flo T-Stück
- formgespritzt
- **Simultan + Kaskadenschweissung**
- PE 100-RC schwarz

Dimension	Code	Detail	z mm	L mm	s1 mm	s2 mm	d1 mm	d2 mm	Gewicht
50/32	70.192.5032.71	50/32 SDR17/11	73	146	3	3	50	32	0.18
90/63	70.192.9063.71	90/63 SDR17/11	100	200	5,4	5,8	90	63	0.78
160/110	70.192.1611.71	160/110 SDR17/11	155	310	9,5	10	160	110	3.34