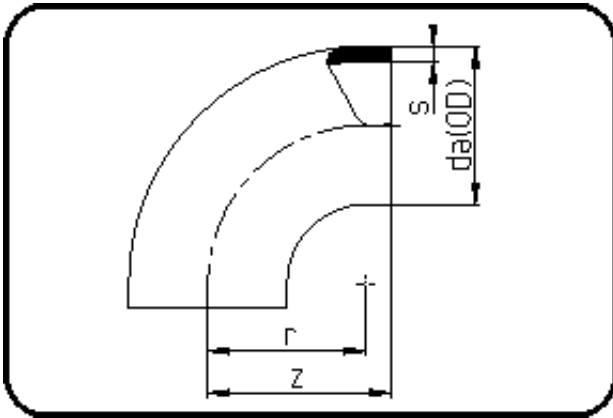


Kurzschenkelige Fittings



Code: 001

- Bogen 90°
- kurze Schenkel
- formgespritzt
- **Stumpfschweissung**
- **PE 100-RC schwarz**

| Dimension | Code | Detail | Gewicht |
|-----------|----------------|------------------------|---------|
| 110 | 70.001.0110.33 | 110X3,4 SDR33 ISO S-16 | 0.26 |

| | Einheit | Nominale | Tol+ | Tol- |
|--------|---------|----------|------|------|
| da(OD) | mm | 110 | 1.00 | 0.00 |
| r | mm | 110 | 0.00 | 0.00 |
| s | mm | 3,4 | 0.50 | 0.00 |
| z | mm | 120 | 3.00 | 3.00 |