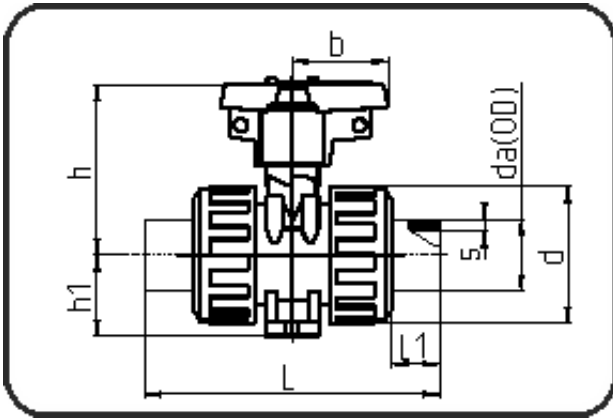


Valves



Code: 363.14

- Ball Valve M1
- EPDM-sealing
- injection moulded
- **Butt + IR-welding**
- PP grey

Dimension	Code	Detail	Weight
20	11.363.1420.11	20 - SDR11 ISO S-5	0.18

	Unit	Nominale	Tol+	Tol-
da(OD)	mm	20	0.30	0.00
L	mm	124,5	1.50	1.50
L1	mm	14	0.75	0.75
h1	mm	33	0.75	0.75
b	mm	40	0.00	0.00
DN	mm	15	0.00	0.00
s	mm	1,9	0.30	0.00
d	mm	58	0.75	0.75
p	bar	10	0.00	0.00
h	mm	74,5	0.75	0.75