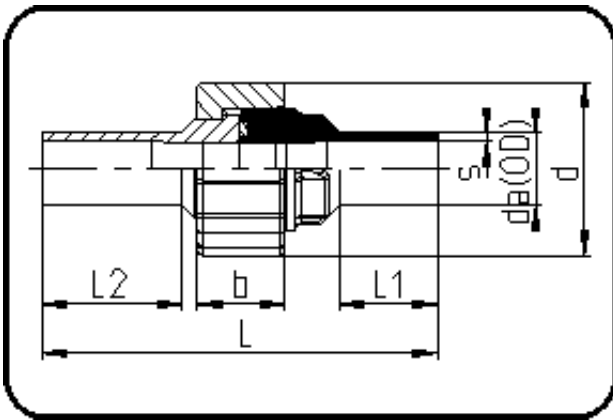


Fittings



Code: 024

- Union Type 24
- FPM-sealing
- injection moulded
- **Butt + IR-welding**
- PVDF natural

Dimension	Code	Detail	Weight
90	30.024.0090.21	90X4,3 SDR21 ISO S-10	0.73

	Unit	Nominale	Tol+	Tol-
da(OD)	mm	90	0.00	0.00
L	mm	130	3.00	3.00
L1	mm	34	1.50	1.50
L2	mm	55	1.50	1.50
b	mm	40	0.75	0.75
s	mm	4,3	0.70	0.00
d	mm	130	1.50	1.50