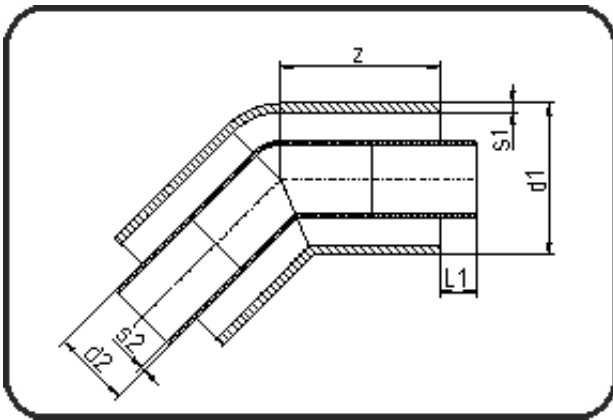


PE/PVDF Staggered Welding



Code: 202

- Bend 45°
- injection moulded+assembled
- **Staggered+E-fusion-welding**
- **HDPE/PVDF**

Dimension	Code	Detail	Weight
200/110	84.202.2011.73	200/110 SDR17/33	2.03

	Unit	Nominale	Tol+	Tol-
L1	mm	50	0.00	0.00
d1	mm	200	0.00	0.00
SDR2		33	0.00	0.00
SDR1		17	0.00	0.00
s2	mm	3,4	0.00	0.00
d2	mm	110	0.00	0.00
s1	mm	11,9	0.00	0.00
z	mm	172	3.00	3.00