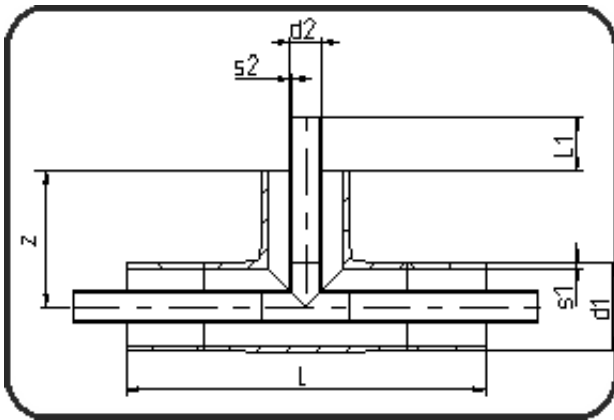


PE/PVDF Staggered Welding



Code: 206

- Tee
- injection moulded+assembled
- **Staggered+E-fusion-welding**
- HDPE/PVDF

Dimension	Code	Detail	Weight
280/160	84.206.2816.73	280/160 SDR17/33	13.86

	Unit	Nominale	Tol+	Tol-
L	mm	758	0.00	0.00
L1	mm	50	0.00	0.00
d1	mm	280	0.00	0.00
SDR2		33	0.00	0.00
SDR1		17	0.00	0.00
s2	mm	4,9	0.00	0.00
d2	mm	160	0.00	0.00
s1	mm	16,6	0.00	0.00
z	mm	347	0.00	0.00