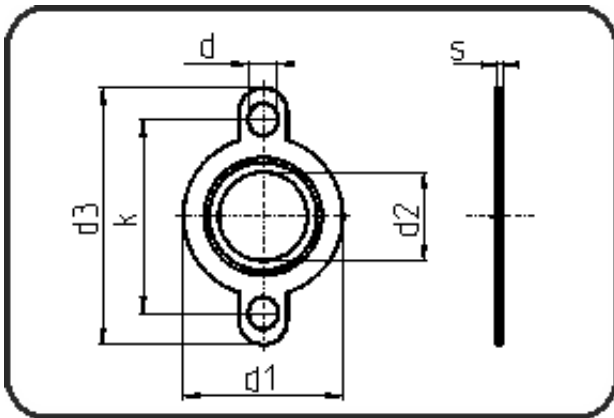


## Seal Clean Gaskets



Code: 372.4

- Seal Clean Gasket
- ANSI
- for AGRU PE/PP flanges
- Flange connection
- ePTFE white

Dimension	Code	Detail	Weight
20	88.372.4020.11	20 - SDR11 ANSI	0.01

	Unit	Nominale	Tol+	Tol-
s	mm	3	0.50	0.50
d	mm	16	1.00	0.00
d1	mm	45	1.50	1.50
d3	mm	88,45	1.50	1.50
d2	mm	14,7	1.00	1.00
k	mm	60,45	1.00	1.00