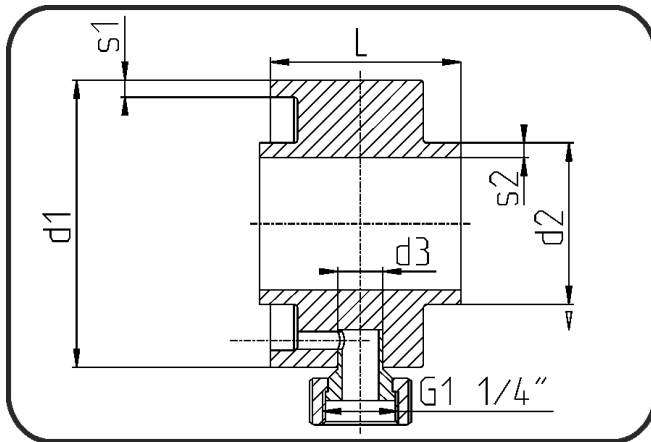


## PP/PP Simultaneous Welding



Code: 141

- Dog Bone
- for leakage control
- with connection to single-pipe
- machined
- **Simultaneous-welding**
- **PP/PP**

Dimension	Code	Detail	L mm	s1 mm	s2 mm	d1 mm	d2 mm	d3 mm	Weight
160/90	80.141.1690.37	160/90 SDR33/17	100	4,9	5,4	160	90	24	0.88
160/90	80.141.1690.31	160/90 SDR33/11	100	4,9	8,2	160	90	24	0.96
280/160	80.141.2816.31	280/160 SDR33/11	100	8,6	14,6	280	160	24	2.28
315/200	80.141.3120.31	315/200 SDR33/11	100	9,7	18,2	315	200	24	2.76
355/250	80.141.3525.31	355/250 SDR33/11	100	10,9	22,8	355	250	24	3.29