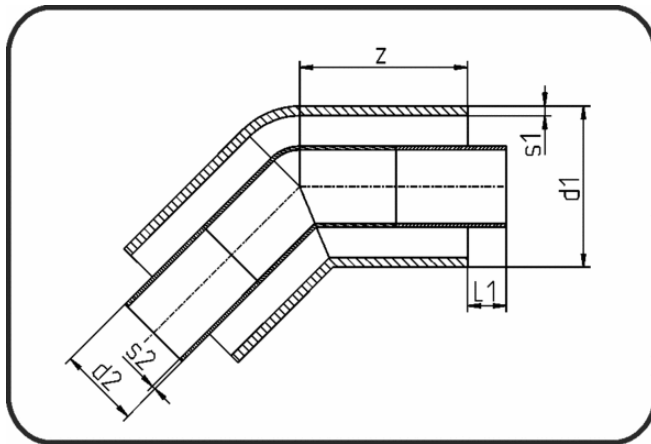


## PE/PVDF Staggered Welding



Code: 202

- Bend 45°
- injection moulded+assembled
- **Staggered+E-fusion-welding**
- HDPE/PVDF

Dimension	Code	Detail	z mm	L1 mm	s1 mm	s2 mm	d1 mm	d2 mm	Weight
90/32	84.202.9032.72	90/32 SDR17/21	101	50	5,4	2,4	90	32	0.23
125/63	84.202.1263.72	125/63 SDR17/21	130,5	50	7,4	3	125	63	1.20
160/90	84.202.1690.73	160/90 SDR17/33	156,5	50	9,5	2,8	160	90	1.21
200/110	84.202.2011.73	200/110 SDR17/33	172	50	11,9	3,4	200	110	2.03
280/160	84.202.2816.73	280/160 SDR17/33	232	50	16,6	4,9	280	160	5.41