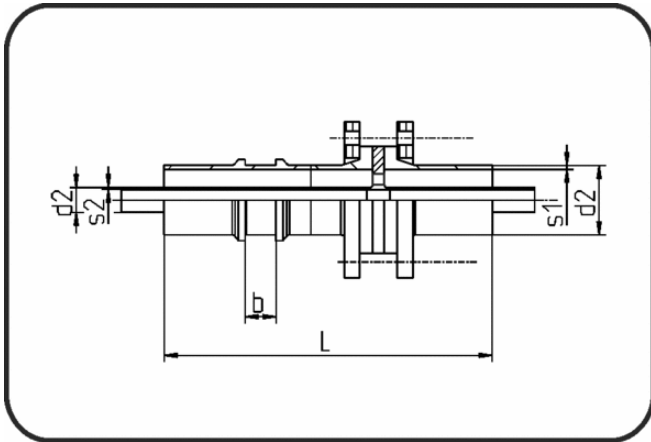


PE/PVDF Staggered Welding



Code: 249

- Dog Bone Type III, Collar
- with cut out
- machined
- Staggered+E-fusion-welding
- HDPE/PVDF

Dimension	Code	Detail	L mm	s1 mm	s2 mm	d1 mm	d2 mm	b mm	Weight
90/32	84.249.9032.72	90/32 SDR17/21	430	5,4	2,4	90	32	40	4.05
125/63	84.249.1263.72	125/63 SDR17/21	501	7,4	3	125	63	60	4.79
160/90	84.249.1690.73	160/90 SDR17/33	560	9,5	2,8	160	90	60	8.99
200/110	84.249.2011.73	200/110 SDR17/33	640	11,9	3,4	200	110	60	13.91
280/160	84.249.2816.73	280/160 SDR17/33	682	16,6	4,9	280	160	65	24.07