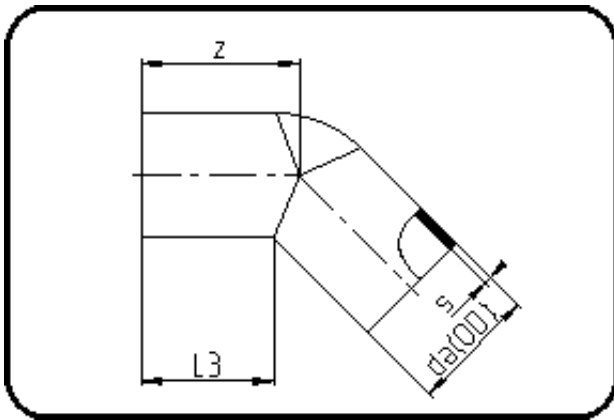


Elongated Fittings



Code: 060

- Elbow 45°
- long spigot
- W/P-TW
- injection moulded
- **Butt + E-fusion-welding**
- PE 100-RC black

Dimension	Code	Detail	Weight
125	70.060.0125.17	125X7,4 SDR17 PN10	0.77

	Unit	Nominale	Tol+	Tol-
da(OD)	mm	125	0.80	0.00
L3	mm	95	9.00	0.00
s	mm	7,4	0.90	0.00
z	mm	130,5	4.50	4.50