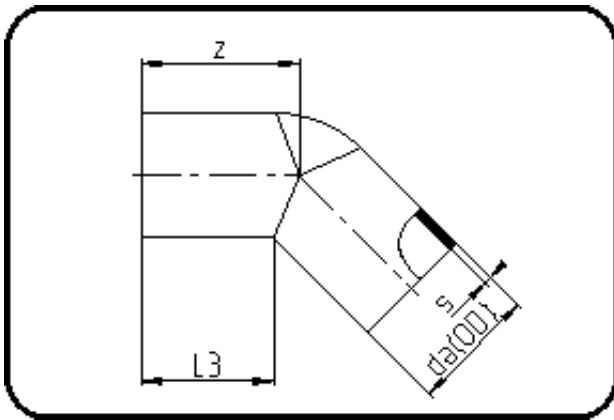


Elongated Fittings



Code: 060

- Elbow 45°
- long spigot
- W/P-TW
- injection moulded
- **Butt + E-fusion-welding**
- PE 100-RC black

Dimension	Code	Detail	Weight
200	70.060.0200.11	200X18,2 SDR11 PN16	3.66

	Unit	Nominale	Tol+	Tol-
da(OD)	mm	200	1.20	0.00
L3	mm	129,5	2.25	2.25
s	mm	18,2	2.00	0.00
z	mm	173	4.50	4.50