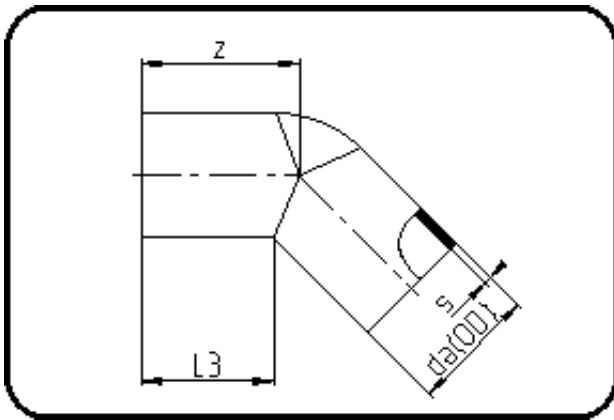


Elongated Fittings



Code: 060

- Elbow 45°
- long spigot
- W/P-TW
- injection moulded
- **Butt + E-fusion-welding**
- PE 100-RC black

Dimension	Code	Detail	Weight
200	70.060.0200.17	200X11,9 SDR17 PN10	2.45

	Unit	Nominale	Tol+	Tol-
da(OD)	mm	200	1.20	0.00
L3	mm	128	9.00	0.00
s	mm	11,9	1.30	0.00
z	mm	177	4.50	4.50