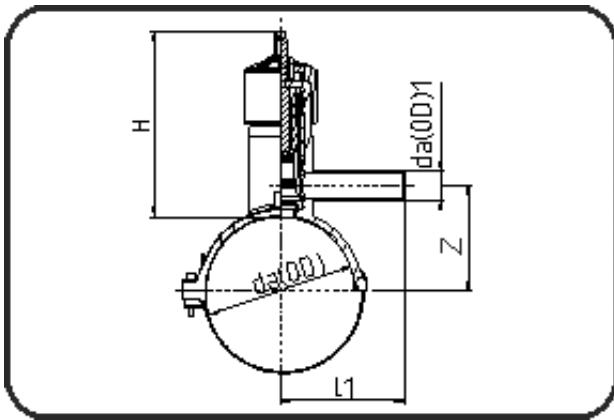


Saddles



Code: 70.079

- **Pressure Tapping Valve**
- brass-valve+integrated cutter
- W/P-TW
- injection moulded
- **Electro-fusion**
- **PE 100-RC black**

For operating the pressure tapping valve an extension spindle is required.

| Dimension | Code | Detail | Weight |
|-----------|----------------|-------------------------|--------|
| 140/32 | 70.079.1432.11 | 140/32 SDR 17 - 11 PN16 | 2.46 |

| | Unit | Nominale | Tol+ | Tol- |
|----------|------|----------|------|------|
| da(OD) | mm | 140 | 0.50 | 0.00 |
| L1 | mm | 137 | 1.50 | 1.50 |
| h | mm | 203 | 0.60 | 0.00 |
| da1(OD1) | mm | 32 | 0.30 | 0.00 |
| z | mm | 103,5 | 0.00 | 0.00 |