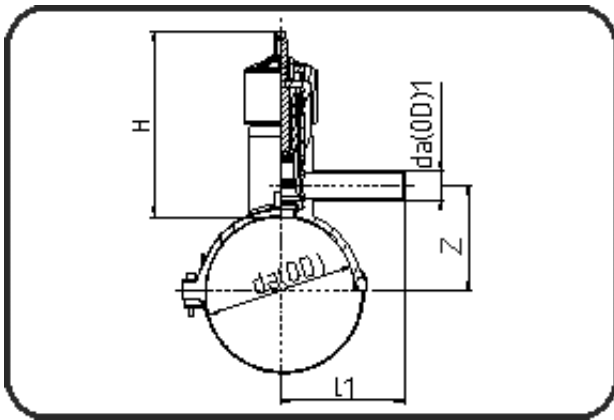


Saddles



Code: 70.079

- **Pressure Tapping Valve**
- brass-valve+integrated cutter
- W/P-TW
- injection moulded
- **Electro-fusion**
- **PE 100-RC black**

For operating the pressure tapping valve an installation kit is required.

Dimension	Code	Detail	Weight
63/32	70.079.6332.11	63/32 SDR11 PN16	1.60

	Unit	Nominale	Tol+	Tol-
da(OD)	mm	63	0.50	0.00
L1	mm	131	1.00	1.00
h	mm	163	1.50	1.50
da1(OD1)	mm	32	0.30	0.00
z	mm	65,3	0.00	0.00