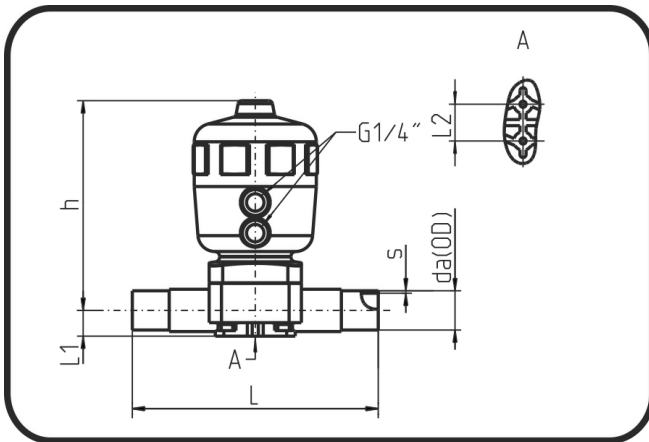


Valves



Code: 341.0

- Diaphragm Valve Pneumatic
- closed by resilience
- EPDM/PTFE diaphragm
- Butt + IR + HPF-welding
- PVDF UHP natural

Dimension	Code	Detail	da(OD) mm	s mm	L mm	L1 mm	L2 mm	h mm	Weight
20	35.341.0020.21	20 - SDR21 MOP 10 bar	20	1,9	133	16,5	24,5	170	1.48
25	35.341.0025.21	25 - SDR21 MOP 10 bar	25	1,9	144	16,5	24,5	170	1.48
32	35.341.0032.21	32 - SDR21 MOP 10 bar	32	2,4	154	20,5	24,5	175	1.88
40	35.341.0040.21	40 - SDR21 MOP 10 bar	40	2,4	193	25,5	44	273	5.56
50	35.341.0050.21	50 - SDR21 MOP 10 bar	50	3	194	32	44	273	6.40
63	35.341.0063.21	63 - SDR21 MOP 10 bar	63	3	224	38,5	44	277	6.91