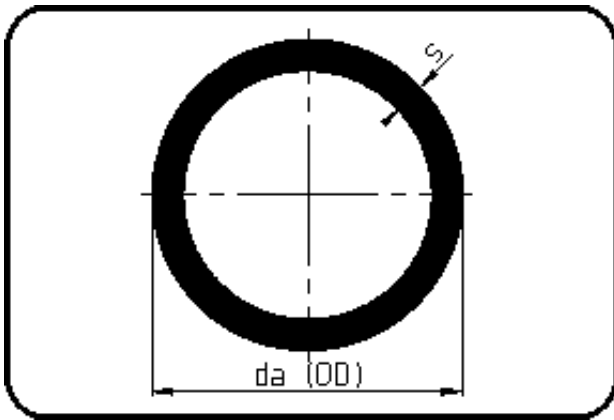


Pipes



Code: 725

- Pipe 5m
- extruded
- FEP natural

Dimension	Code	Detail	Weight
32	4F.725.0032.00	32x2,3	0.51

	Unit	Nominale	Tol+	Tol-
da(OD)	mm	32	0.30	0.00
s	mm	2,3	0.50	0.00