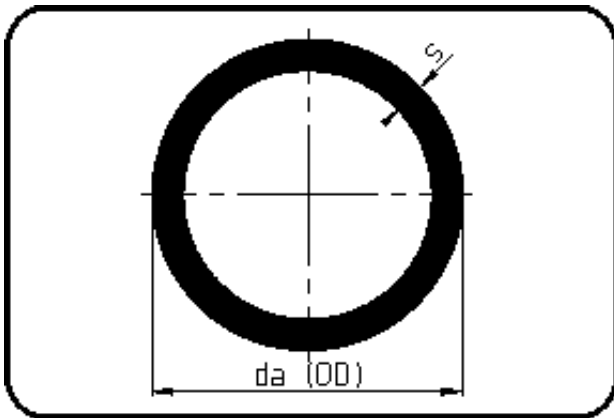


## Pipes



Code: 725

- Pipe 5m
- extruded
- FEP natural

Dimension	Code	Detail	Weight
160	4F.725.0160.00	160x2,3	2.72

	Unit	Nominale	Tol+	Tol-
da(OD)	mm	160	1.00	0.00
s	mm	2,3	0.50	0.00