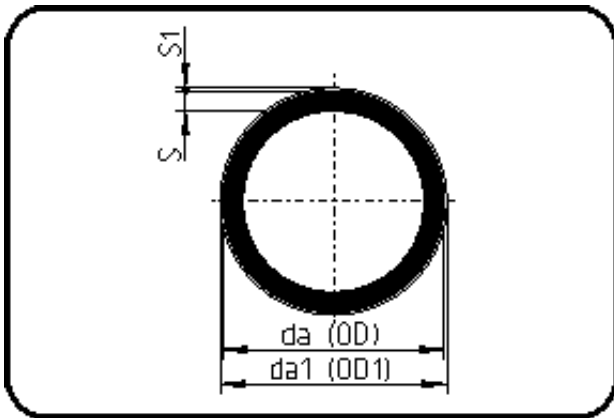


Pipes



Code: 742

- Pipe GGS fabric 5m
- glass fabric
- extruded
- FEP natural

| Dimension | Code | Detail | Weight |
|-----------|----------------|---------|--------|
| 160 | 4F.742.0160.00 | 160x2,3 | 3.23 |

| | Unit | Nominale | Tol+ | Tol- |
|----------|------|----------|------|------|
| da(OD) | mm | 160 | 1.00 | 0.00 |
| s | mm | 2,3 | 0.00 | 0.00 |
| s1 | mm | 3,25 | 0.00 | 0.00 |
| da1(OD1) | mm | 161,4 | 0.00 | 0.00 |