

AGRU BIM & Plant Design Library

With the AGRU BIM & Plant Design Library, you can seamlessly integrate tested piping systems into Autodesk Revit™ and AutoCAD Plant 3D™. From 3D modeling to ordering—efficient, secure, and BIM-compliant.

The AGRU BIM & Plant Design Library enables:

- Millimeter-precise planning
- Maximum detail
- Fast design with routing function
- Automated and detailed Bill Of Materials



BIM Design Library for Autodesk Revit™

Take advantage of the routing function in Autodesk Revit™ from version 2020 onwards, which allows you to select the ideal components with the aid of a computer during the design process. The Revit families available from AGRU cover every area of application and support you from the design process to BOM creation.

Available pipe classes:

PURAD high-purity piping systems:

PVDF-UHP, PP-Pure, PolyPure

AGRUCHEM industrial piping systems:

PP, PVDF, ECTFE and AGRU Poly-Flo in PE 100-RC and PPR

AGRULINE piping systems:

PE 100-RC (incl. FM 215 and 250 psi)

Backing rings, accessories, seal clean gaskets

Insert reducers or screw connections with a few clicks.

For more features and tips, check out the instructional video:

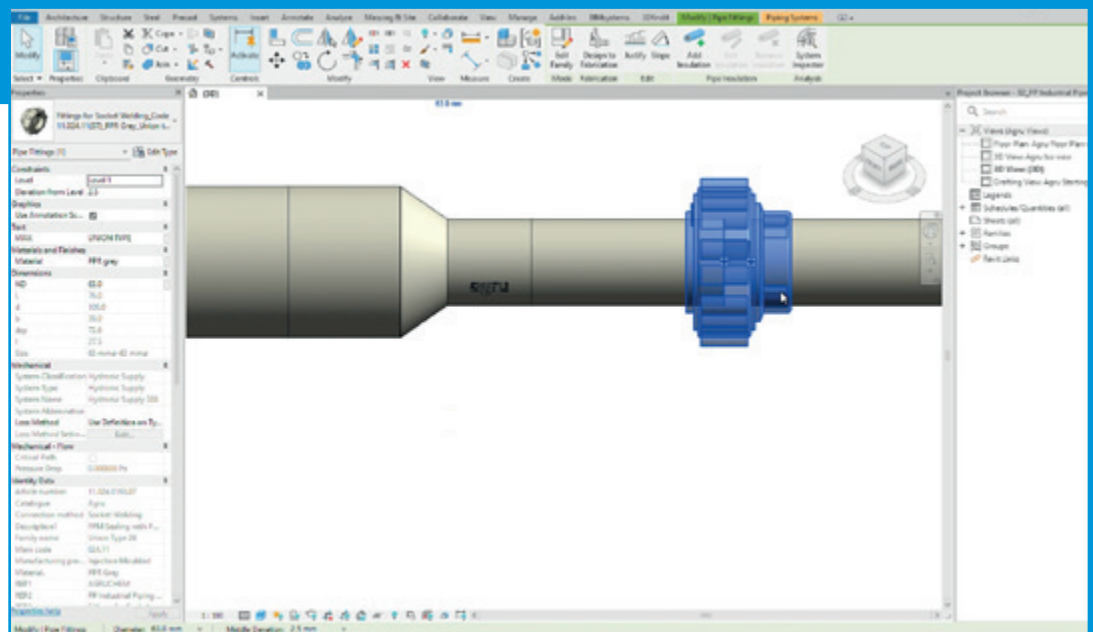


Image source: Screenshot from Autodesk Revit™

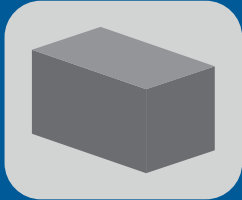
→ Maximum detail

In addition to the geometric representation, the AGRU BIM components offer a wealth of additional information, which is why they are awarded LOD 500 – the highest LOD level.

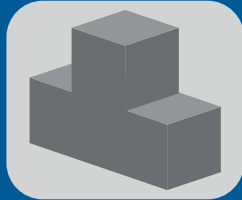
→ Fast design with routing function

The intelligent routing function supports the entire drawing process, while dimensions can be flexibly adjusted and components added. This allows you to focus entirely on the drawing and design process, while the correct AGRU components are automatically inserted.

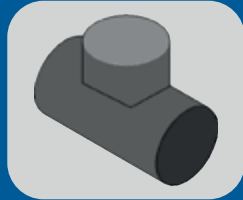
LOD (Level Of Detail) levels



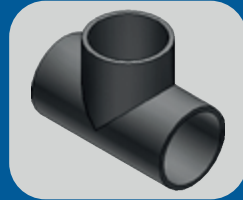
LOD 100



LOD 200



LOD 300



LOD 400



LOD 500



Plant Design Library

for Autodesk Plant 3D™

Benefit from our intelligent planning data in Autodesk Plant 3D™ to optimize your design processes. The detailed models enable smooth implementation on the construction site and prevent planning errors. Our comprehensive Plant 3D™ data is available for a wide range of pipe classes.

Available pipe classes:

PURAD high-purity piping systems:

PVDF-UHP, PP-Pure

AGRUCHEM industrial piping systems:

PP, PVDF

Backing rings, accessories, seal clean gaskets

**Add membranes
and end caps in
no time at all.**

For more features
and tips, check out
the instructional
video:

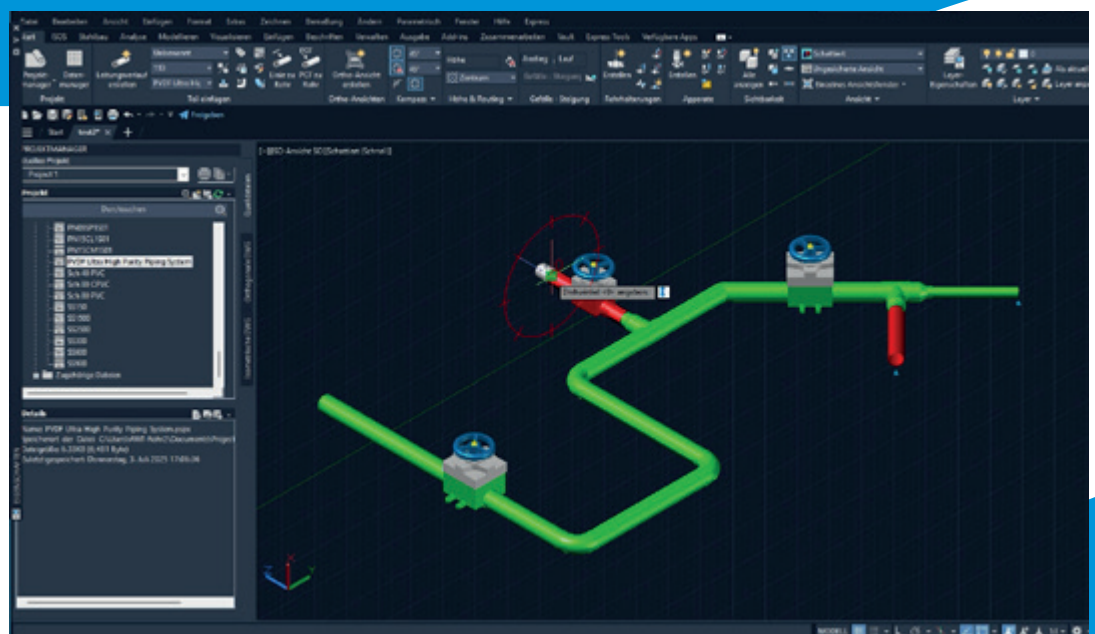


Image source: Screenshot from Autodesk Plant 3D™